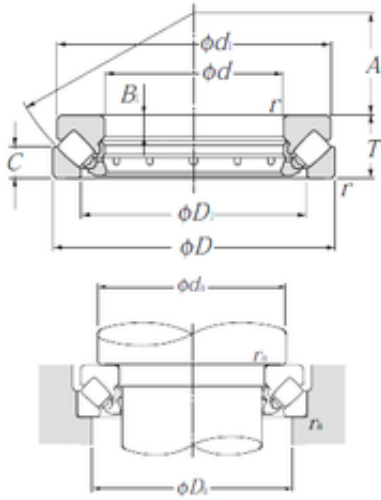




High Quality NSK BEARING LTD



29426 NTN Thrust Spherical Roller Bearing

Bearing No. 29426

Size	130x270x85 mm
Bore Diameter	130 mm
Outer Diameter	270 mm
Width	85 mm
d	130 mm
D	270 mm
T	85 mm
B1	31 mm
C	41 mm
d1	255 mm
r min.	4 mm
A	81 mm
D1	189 mm
da min.	195 mm
Da max.	225 mm
ra max.	3 mm
Weight	23,7 Kg
Basic dynamic load rating (C)	1 080 kN
Basic static load rating (C0)	3 550 kN
Category	Roller Bearings
Inventory	0.0
Manufacturer Name	NTN
Minimum Buy Quantity	N/A
Weight / Kilogram	23.5
Product Group	B04311
bore diameter:	130 mm

29426 Bearing 2D drawings and 3D CAD models



High Quality NSK BEARING LTD

maximum rpm:	1200 rpm
outside diameter:	270 mm
separable type:	Separable Bearing
overall width:	85 mm
fillet radius:	4 mm
operating temperature range:	-40 to 120 ° C
series:	294
static load capacity:	3550000 N
cage type:	Machined - Two Piece
bearing material:	Through Hardened Steel
enclosure:	Open
cage material:	Brass
manufacturer product page:	Click here
dynamic load capacity:	1080000 N